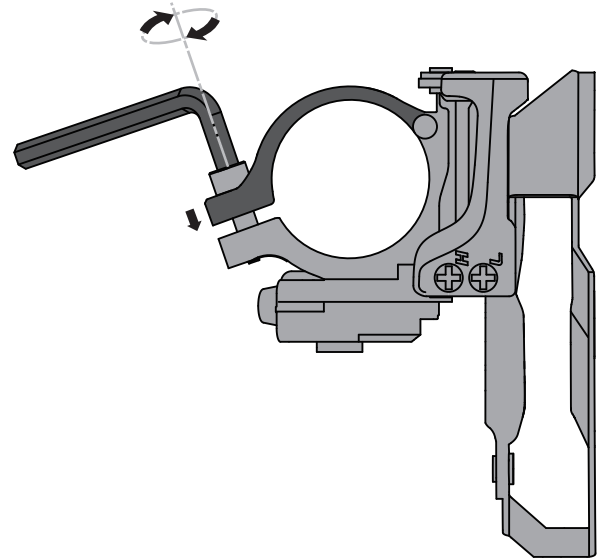
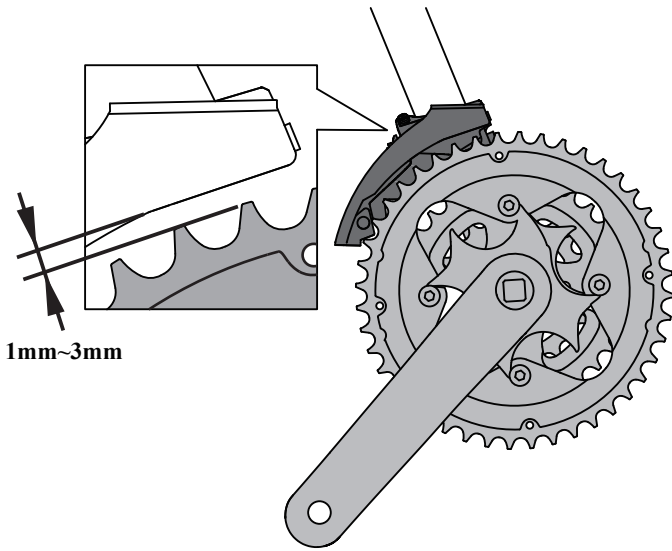


For enjoying the riding, please follow instructions in this leaflet. Please contact your local dealer if any problems are experienced with the product.

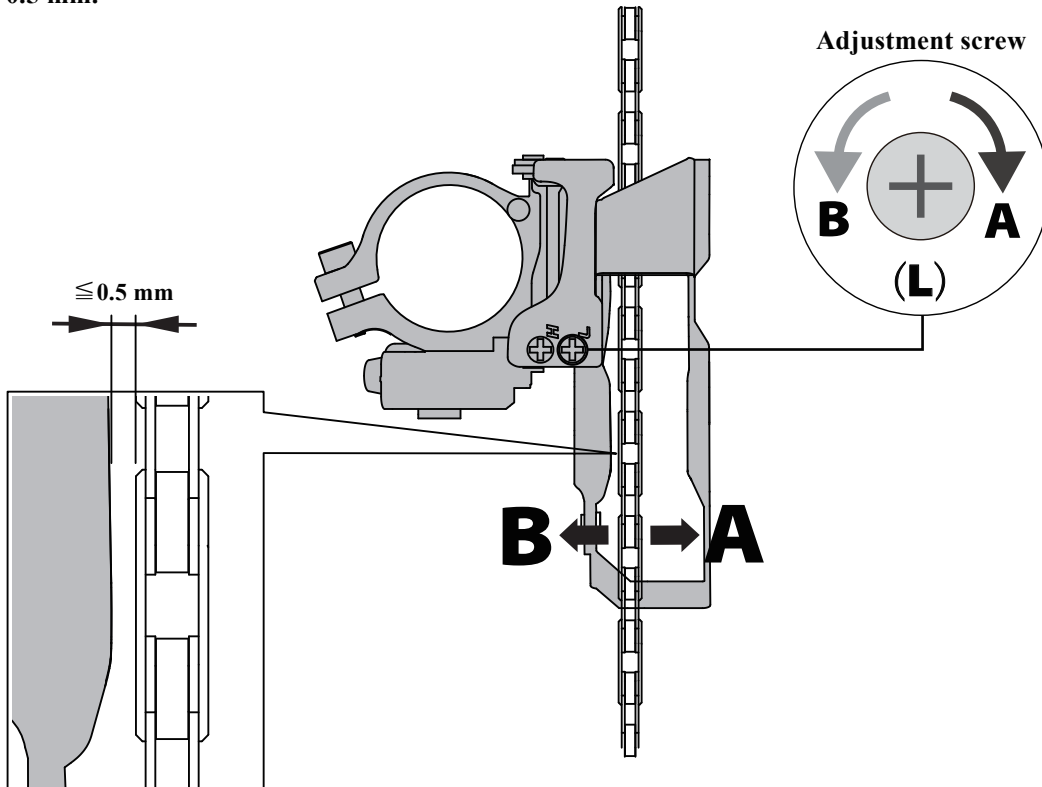
Installation

1. The level section of the chain guide outer plate should be directly above and parallel to the largest chainring.

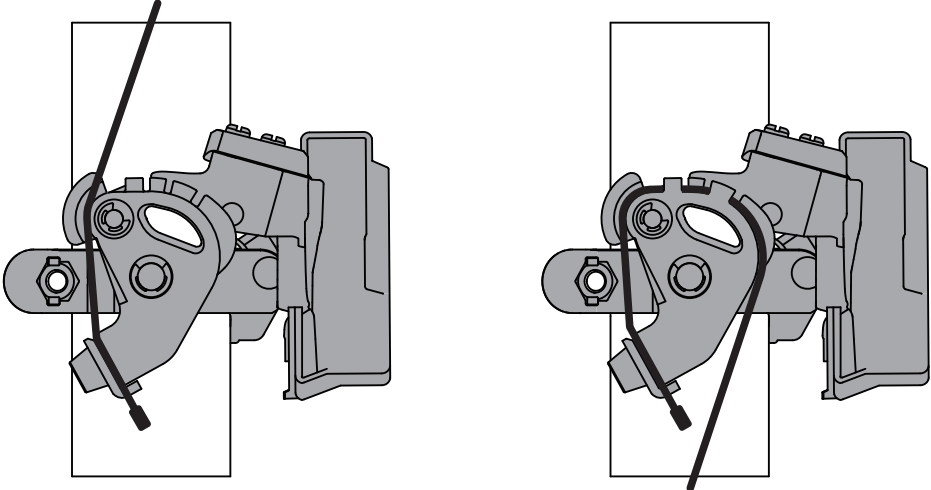
2. Fit the front derailleur onto the frame :
Tighten the pivot screw to 5~7 Nm using a 5mm allen key.



3. Set adjustment screw, so that the clearance between the chain guide inner plate and the chain is less than or equal to 0.5 mm.



4. Use a 5 mm Allen key to tighten the wire fixing bolt. Cut off the excess length of inner cable and then install the inner end cap. Tighten the pivot screw to 5~7 Nm using a 5mm allen key.



5. Upshift to the largest chaining, then set so that the clearance between the chain guide outer plate and the chain is less than or equal to 0.5 mm.



6. Minor adjustments can be done with outer casing adjustment barrel on the Shifter.

